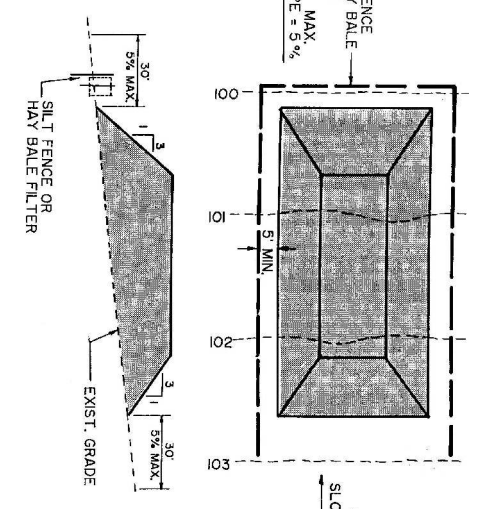


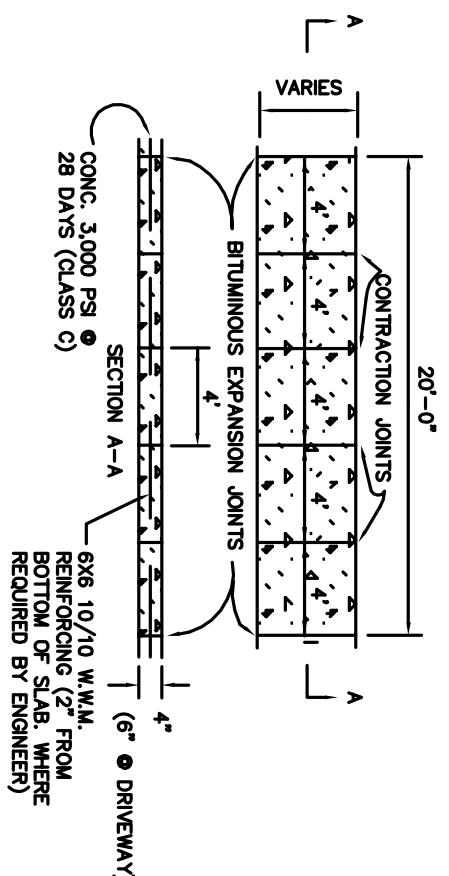
GRAPHIC SCALE

( IN FEET )  
1 inch = 20 ft.



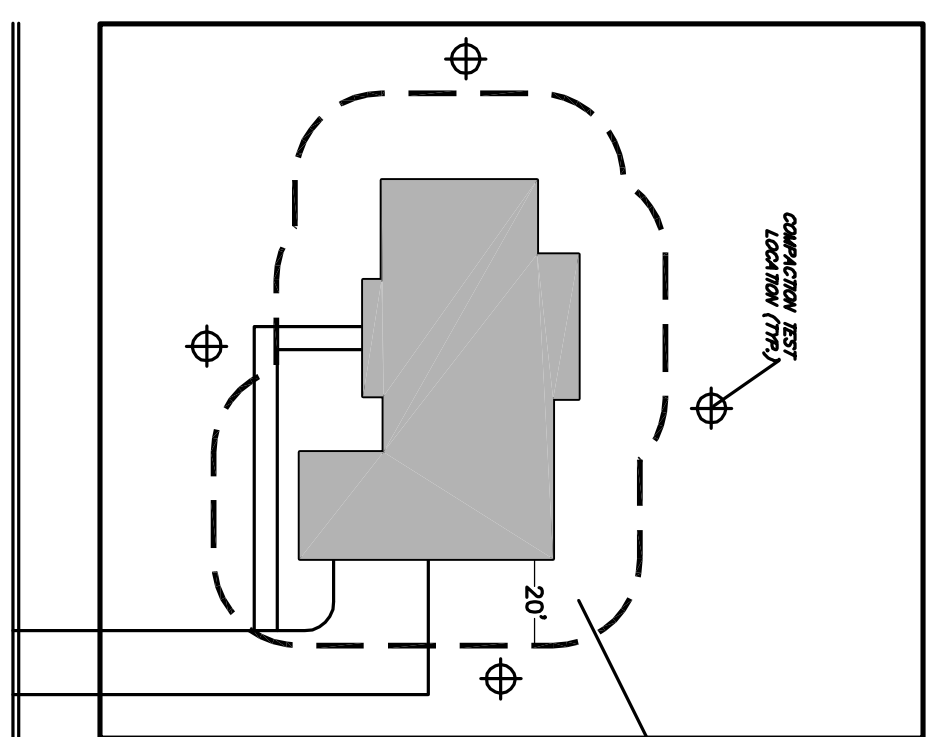
- NOTES:
1. PLACE STOPS ON SE. AT LOCATIONS AS SHOWN ON THE SOIL EROSION AND SEDIMENT CONTROL PLAN.
  2. ALL SOIL SLOPES SHALL BE 3 TO 1 OR FLATTER.
  3. STOCKPILE SHALL RECEIVE A VEGETATIVE COVER IN AS SETBACK PERSON SHALL BE INSTALLED.
  4. SILT FENCE OR HAY BALE FILTER SHALL BE INSTALLED AS SETBACK PERSON SHALL BE INSTALLED.

TOPSOIL STOCKPILE  
NOT TO SCALE



- NOTES:
- 1.) A PERFORMED, BITUMINOUS EXPANSION JOINT 1/2" THICK, 4" WIDE, AND EXTENDING THE FULL WIDTH OF THE WALK, UNBROKEN, CONTRACTION JOINTS SHALL BE INSTALLED EVERY 4 FEET THE FULL WALK WIDTH.
  - 2.) THERE SHALL BE A BROOM FINISH WITH THE EDGES FINISHED WITH A SUITABLE TOOL.

SIDEWALK DETAIL  
N.T.S.



SINGLE FAMILY UNIT

- NOTE: SOIL COMPACTION TESTING LOCATIONS IDENTIFIED ARE TO BE PERFORMED AT THE TIME OF THE CONSTRUCTION OF FOUNDATION AND STRUCTURES OR ON INDIVIDUAL LOTS FOR GRADED/UNGRADED AREAS WITH OPEN OR COMMON SPACES FOR FREQUENCY LISTED. TESTING SHALL BE PERFORMED IN ACCORDANCE WITH THE FREQUENCY LISTED.
- RECOMMENDED SOIL COMPACTION TESTING FREQUENCY TO BE APPROXIMATELY 1 TEST PER 625 SQUARE FEET.

TYPICAL SOIL COMPACTION TESTING LOCATIONS  
N.T.S.

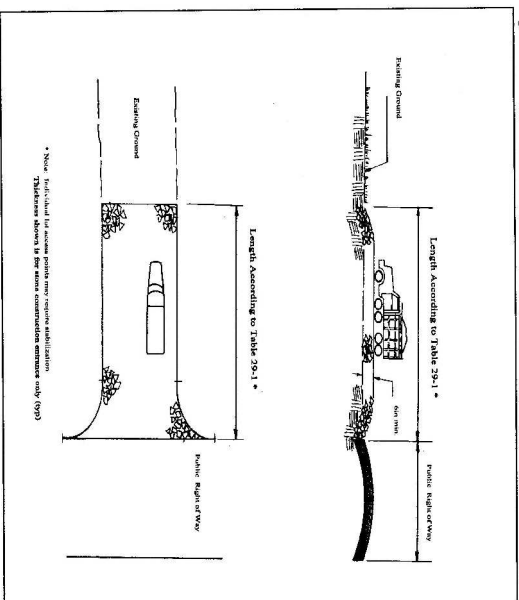
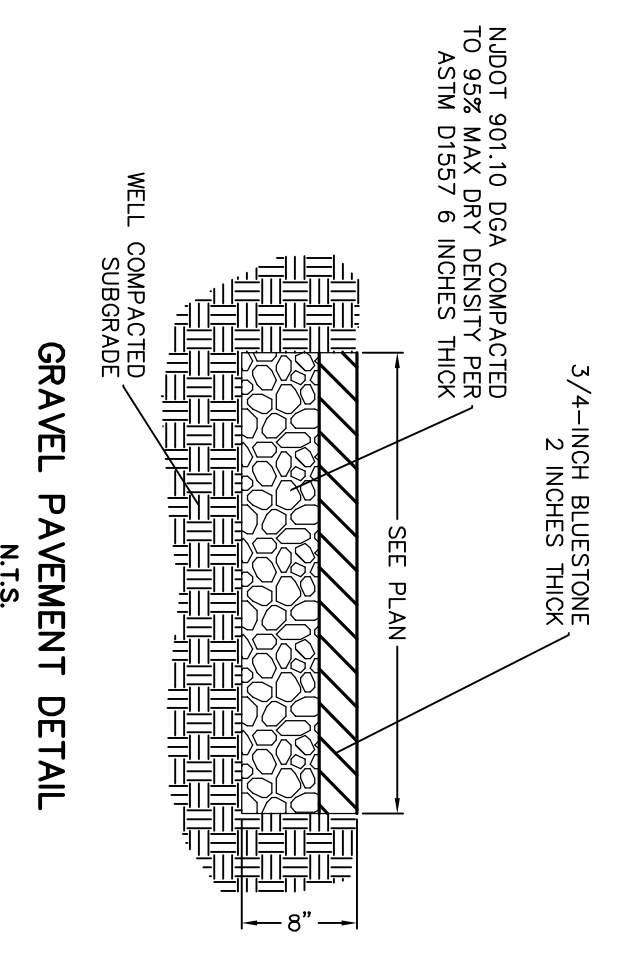


Table 39-1: Length of Connection Paths on Sloping Roadbeds

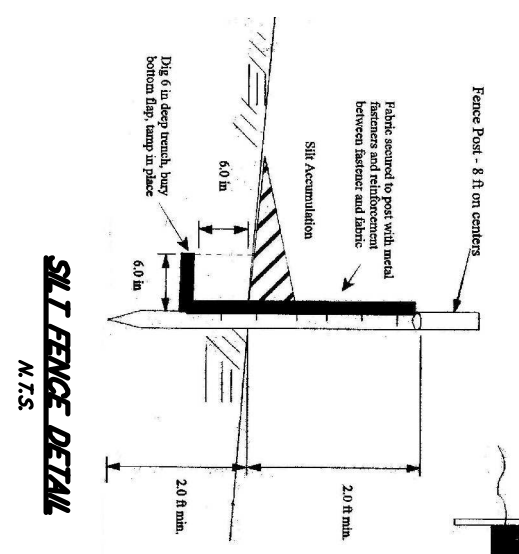
Percent Slope of Roadbed	Length of Slope Required
0 to 2%	None
2 to 5%	100 ft
5 to 10%	200 ft

As provided by the Department of Transportation, New Jersey.

TEMPORARY CONSTRUCTION ENTRANCE DETAIL  
N.T.S.



GRAVEL PAVEMENT DETAIL  
N.T.S.



SILT FENCE DETAIL  
N.T.S.

NO.	REVISION DESCRIPTION	DATE	WRD	MRD
1.	REVISED PER ZONING REVIEW	4-30-21	MRD	MRD
	REVISION DESCRIPTION	DATE	DRWN	CHKD BY

GRADING & SEFC PLAN  
FOR  
104 WILLOW STREET  
TAX BLOCK 55, TAX LOT 7  
BOROUGH OF FAIR HAVEN  
MONMOUTH COUNTY, NEW JERSEY  
(TAX MAP REFERENCE BOROUGH OF FAIR HAVEN SHEET No. 8)

**Nelson Engineering Associates, Inc.**

444 NEPTUNE BOULEVARD, SUITE 4  
NEPTUNE, NEW JERSEY 07753  
TEL. (732) 918-2180  
WWW.NELSONENG.NET  
CERTIFICATE OF AUTHORIZATION # 246428014900

SITE ENGINEERING  
TRAFFIC ENGINEERING  
LANDSCAPE ARCHITECTURE  
ENVIRONMENTAL STUDIES  
LAND SURVEYING & MAPPING

**MATTHEW R. DUBOIS, P.E.**  
PROFESSIONAL ENGINEER NEW JERSEY LICENSE No. 48357  
SCALE: 1" = 20'  
DRAWN BY: MRD  
FILE: 130509 DATE: 1-14-2021 SHEET 2 OF 3