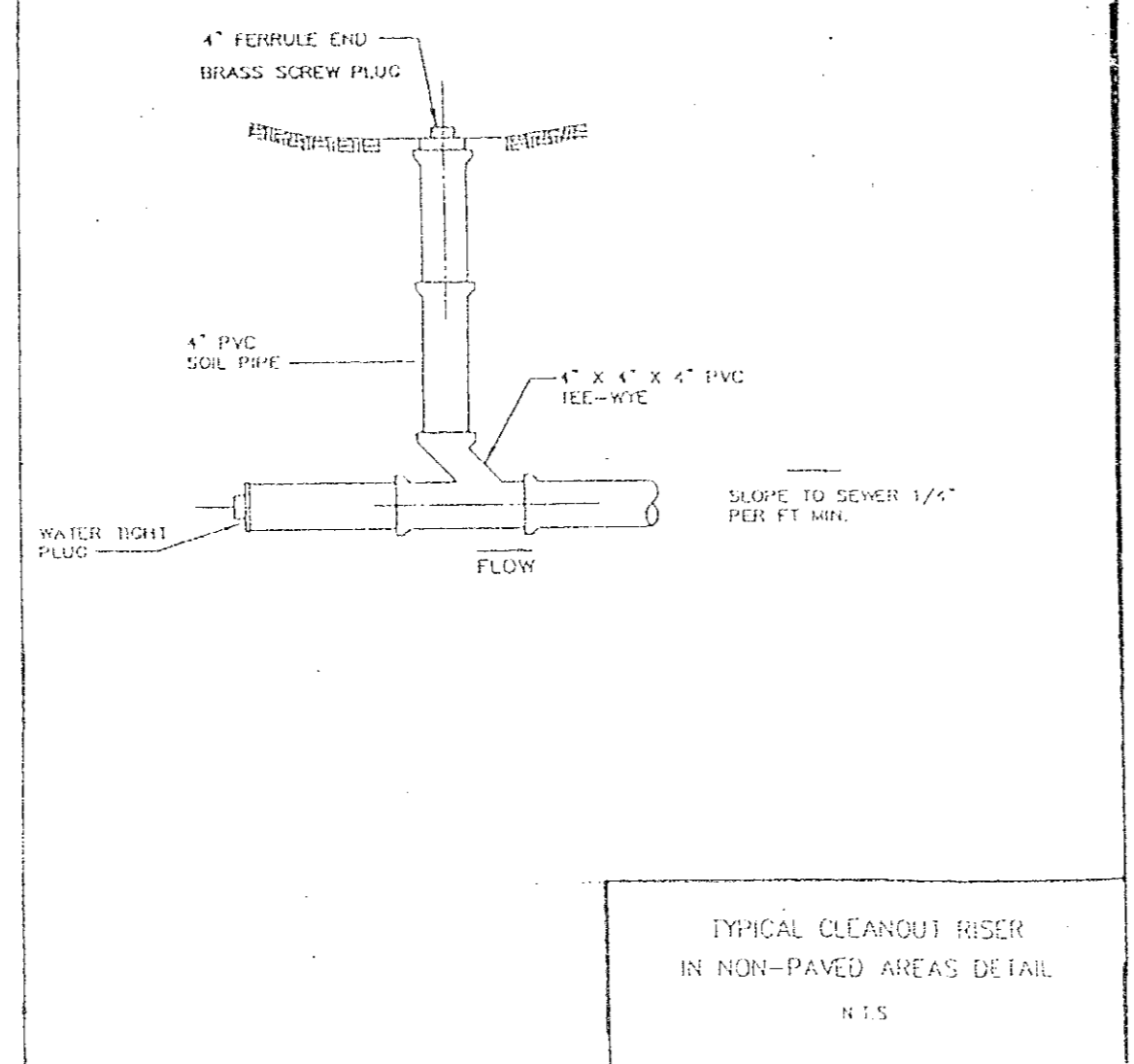
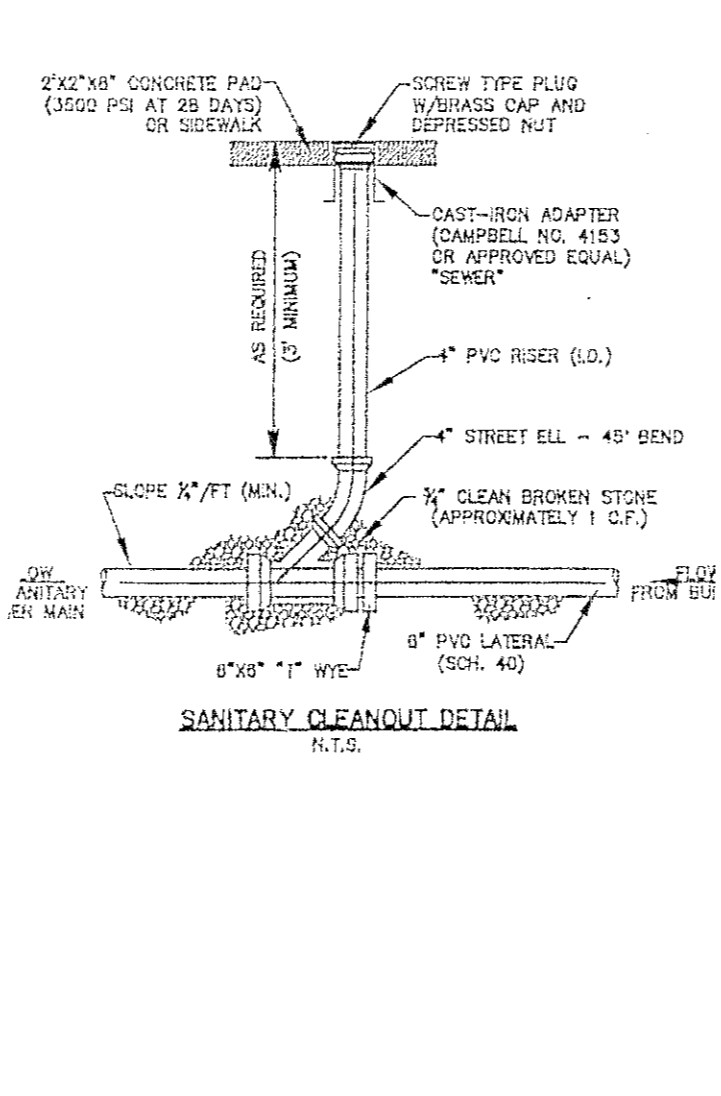


HOUSE SERVICE CONNECTION
NOT TO SCALE

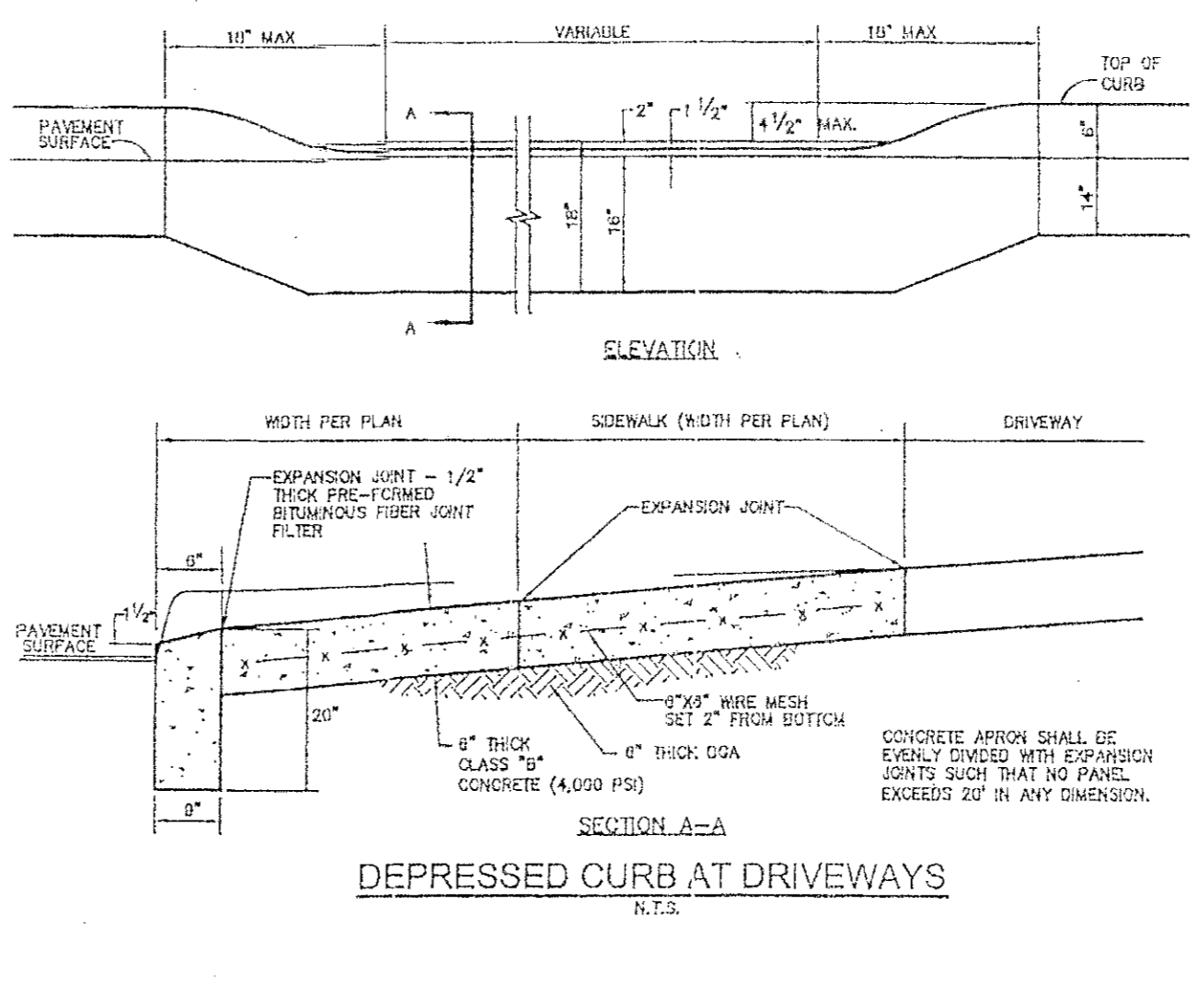
NOTE: CONNECTIONS TO EXISTING TRANSITE WATER MAINS MUST HAVE BRASS TAPPING SADDLE.



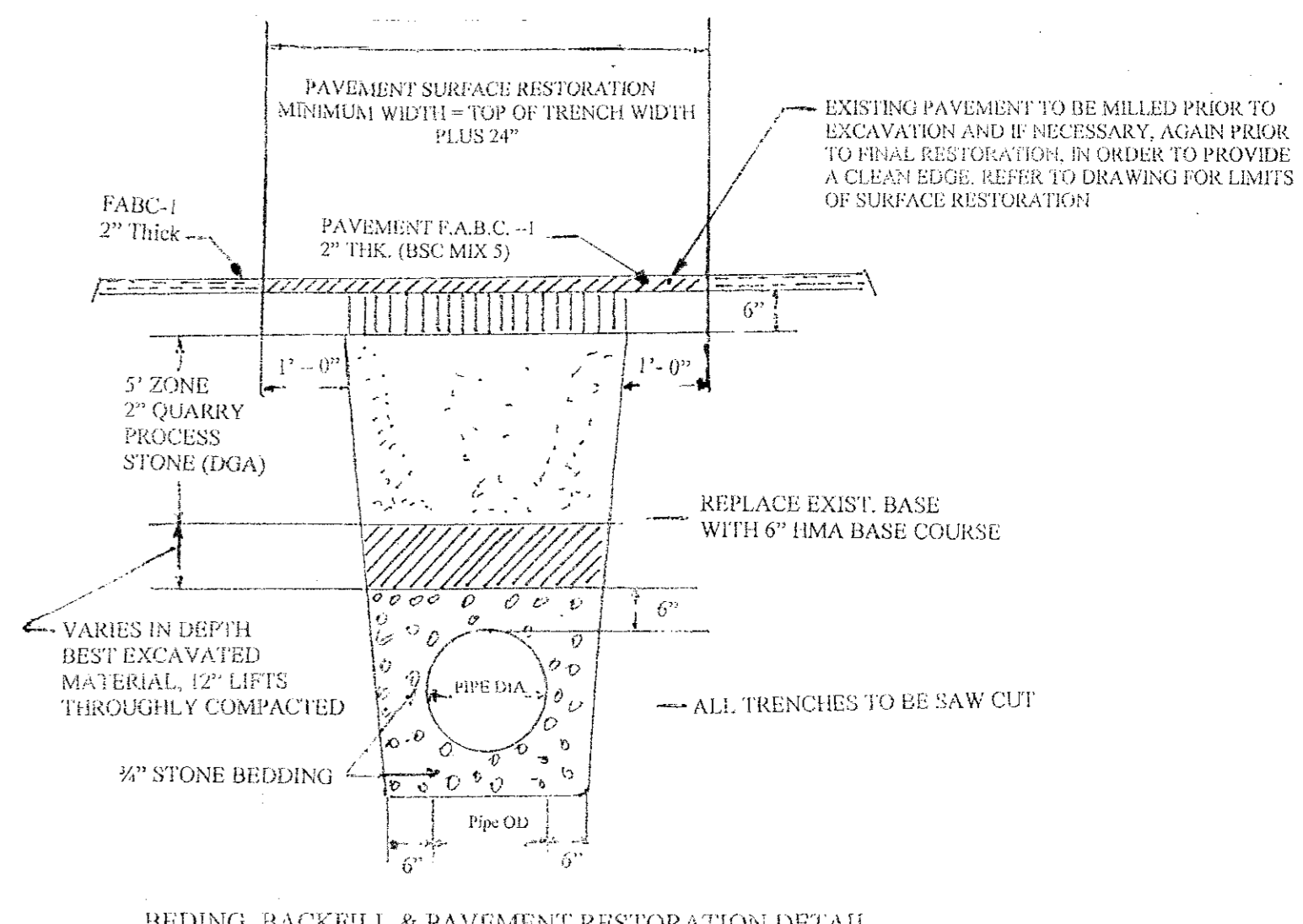
TYPICAL CLEANOUT RISER IN NON-PAVED AREAS DETAIL
N.T.S.



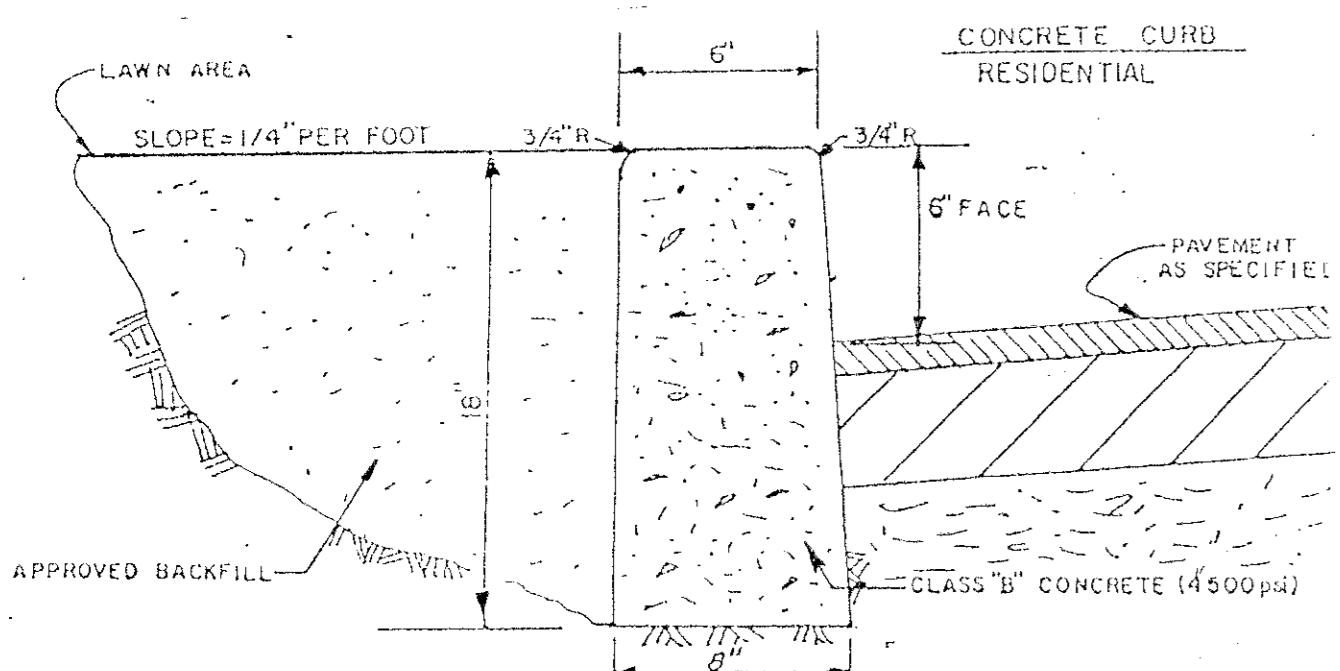
SANITARY CLEANOUT DETAIL
N.T.S.



DEPRESSED CURB AT DRIVEWAYS
N.T.S.

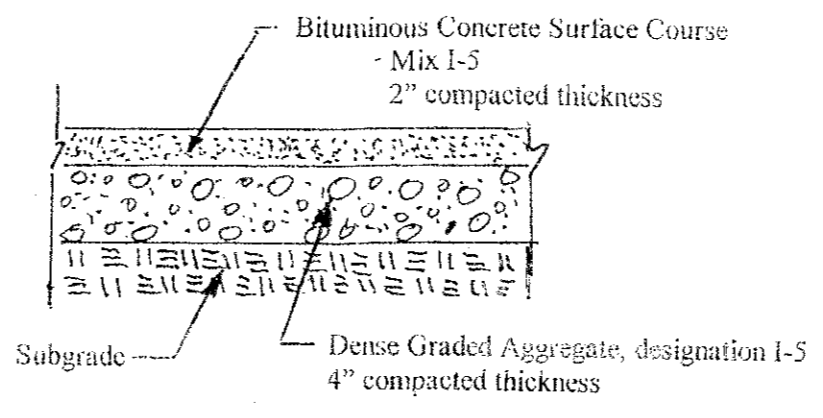


BEDDING, BACKFILL & PAVEMENT RESTORATION DETAIL

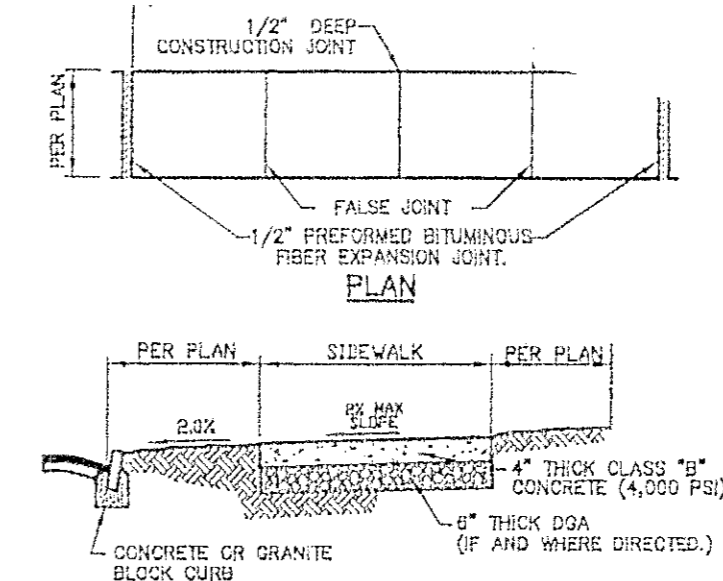


CONCRETE CURB RESIDENTIAL

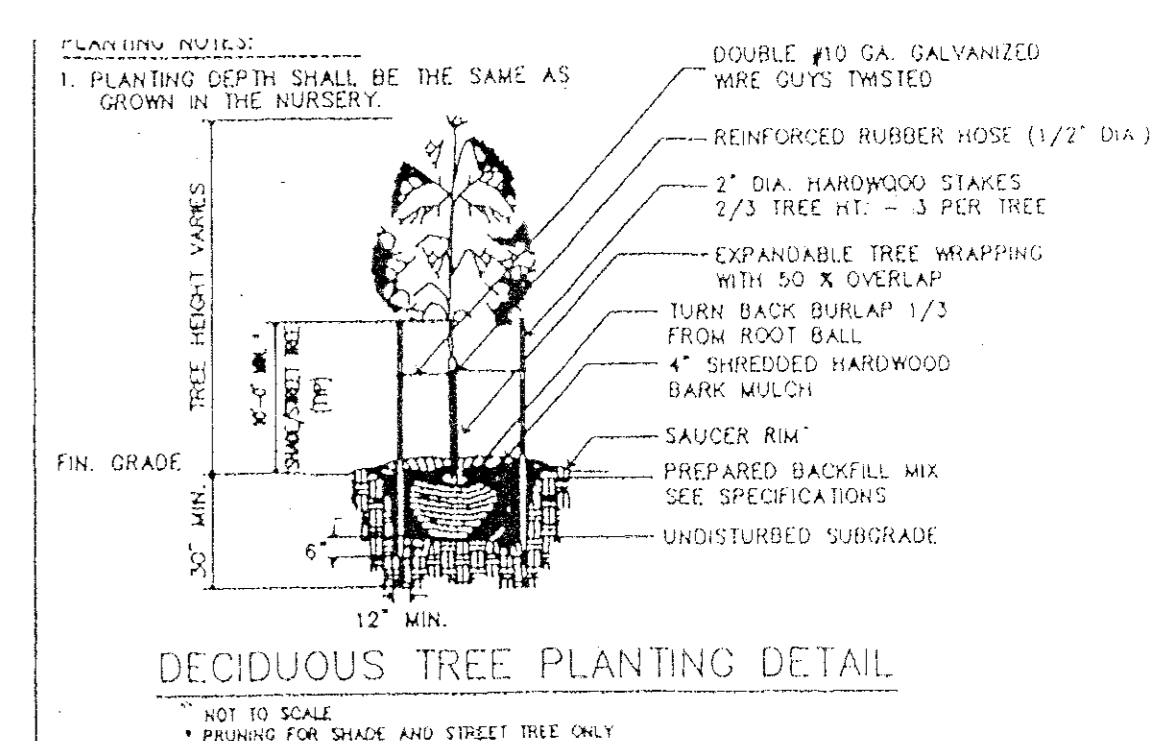
EXPANSION JOINTS 1/2\"/>



TYPICAL DRIVEWAY PAVEMENT SECTION
(NTS)



CONCRETE SIDEWALK DETAIL
N.T.S.



DECIDUOUS TREE PLANTING DETAIL

TAX LIST

Block/Lot	Owner	Mailing address	City, State, Zip
1314-5-5	BLADES CHARLES R & LAUREN B	34 HARVARD ROAD	FAIR HAVEN NJ 07704
1314-5-16	FARRANT JAMES I & AMITY L	39 PRINCETON ROAD	FAIR HAVEN NJ 07704
1314-5-18	HERSCH WILLIAM R & MARYLUM CATHERINE	91 PRINCETON RD	FAIR HAVEN NJ 07704
1314-7-2	ATLANTIC BUILDERS CUSTOM HOMES LLC	86 PRINCETON RD	FAIR HAVEN NJ 07704
1314-8-3	MAGGOVERN RICHARD L & WYNEMA F	108 PRINCETON RD	FAIR HAVEN NJ 07704
1314-5-29	DONOVAN THOMAS C & KERRY G.	101 PRINCETON ROAD	FAIR HAVEN NJ 07704
1314-5-21	NICHOLAS MARY S.	117 PRINCETON RD	FAIR HAVEN NJ 07704
1314-7-1	CORBETT PATRICK C & CAROL	90 PRINCETON ROAD	FAIR HAVEN NJ 07704
1314-5-1	DE CANIO RONALD D & JANE D	108 HARVARD ROAD	FAIR HAVEN NJ 07704
1314-5-1.1	FITZGERALD JAMES F JR & JOAN M	104 HARVARD ROAD	FAIR HAVEN NJ 07704
1314-5-1.2	INGLE JAMES F & AUDREY S	112 HARVARD ROAD	FAIR HAVEN NJ 07704
1314-5-3	SCHIANO MARIA	96 HARVARD ROAD	FAIR HAVEN NJ 07704
1314-5-4	SHARKEY CLIFFORD J & JANET M	90 HARVARD ROAD	FAIR HAVEN NJ 07704
1314-5-22	MALONEY ROBERT J & KATHY L	125 PRINCETON RD	FAIR HAVEN NJ 07704
1314-5-17	HAND MICHAEL KENNETH & SANDRA BEATIE	87 PRINCETON ROAD	FAIR HAVEN NJ 07704
1314-5-20	MISSIG DAVID & LORI	111 PRINCETON AVENUE	FAIR HAVEN NJ 07704
1314-7-3.01	COHEN BENJAMIN	82 PRINCETON RD	FAIR HAVEN NJ 07704
1314-8-1	ROEMER CATHRYN & FREDERICK J TRUSTEES	116 PRINCETON RD	FAIR HAVEN NJ 07704
1314-5-3.1	LIQUORI JENNIFER	98 HARVARD ROAD	FAIR HAVEN NJ 07704
1314-5-2	KARPF NANCY	109 HARVARD ROAD	FAIR HAVEN NJ 07704
1314-8-2	CUGINI DONALD & KIM D	112 PRINCETON RD	FAIR HAVEN NJ 07704

WATER - NJ AMERICAN WATER COMPANY, c/o SCOTT SECAL, ONE WATER ST., CAMDEN, NJ 08102
 WATER - BOROUGH OF RED BANK, DEPT. OF PUBLIC UTILITIES, JOSEPH E. BUKACORUSTA, 75 CHESTNUT ST., RED BANK, NJ 07704
 ELECTRIC - JOPAL, MANAGER-RENT, ESTATE, 300 MADISON AVE., MORRISTOWN, NJ 07960
 GAS - NJ NATURAL GAS COMPANY, JOHN PARRISH, R.O.W. AND GLASS DEP., P.O. BOX 1464, WALL, NJ 07719
 MONMOUTH COUNTY PLANNING BOARD, DIRECTOR, P.O. BOX 1252, FREEHOLD, NJ 07728
 TWO RIVERS WATER RECLAMATION AUTHORITY, 1 HIGHLAND AVE., MONMOUTH BEACH, NJ 07707

REVISIONS

NO.	DATE	DESCRIPTION

CONSTRUCTION DETAILS SHEET 2 of 2

MINOR SUBDIVISION PLAN
 of 101 PRINCETON ROAD
 LOT 19 BLOCK 5 TAX MAP SHEET 1
 situate in
 FAIR HAVEN BOROUGH, MONMOUTH COUNTY, NEW JERSEY
 Scale: As Noted

RICHARD KARL HEUSER, P.E. & L.S.
 Professional Engineer & Land Surveyor
 N.J. Lic. No. 17776
 Date: Nov. 30, 2020

RICHARD K. HEUSER, P.C.
 - Land Surveying -
 - Engineering -
 - Planning -
 307 Main Street
 Matawan, N.J. 07747
 732-566-0850 bruceheuser@vztcn.net
 FILE #844